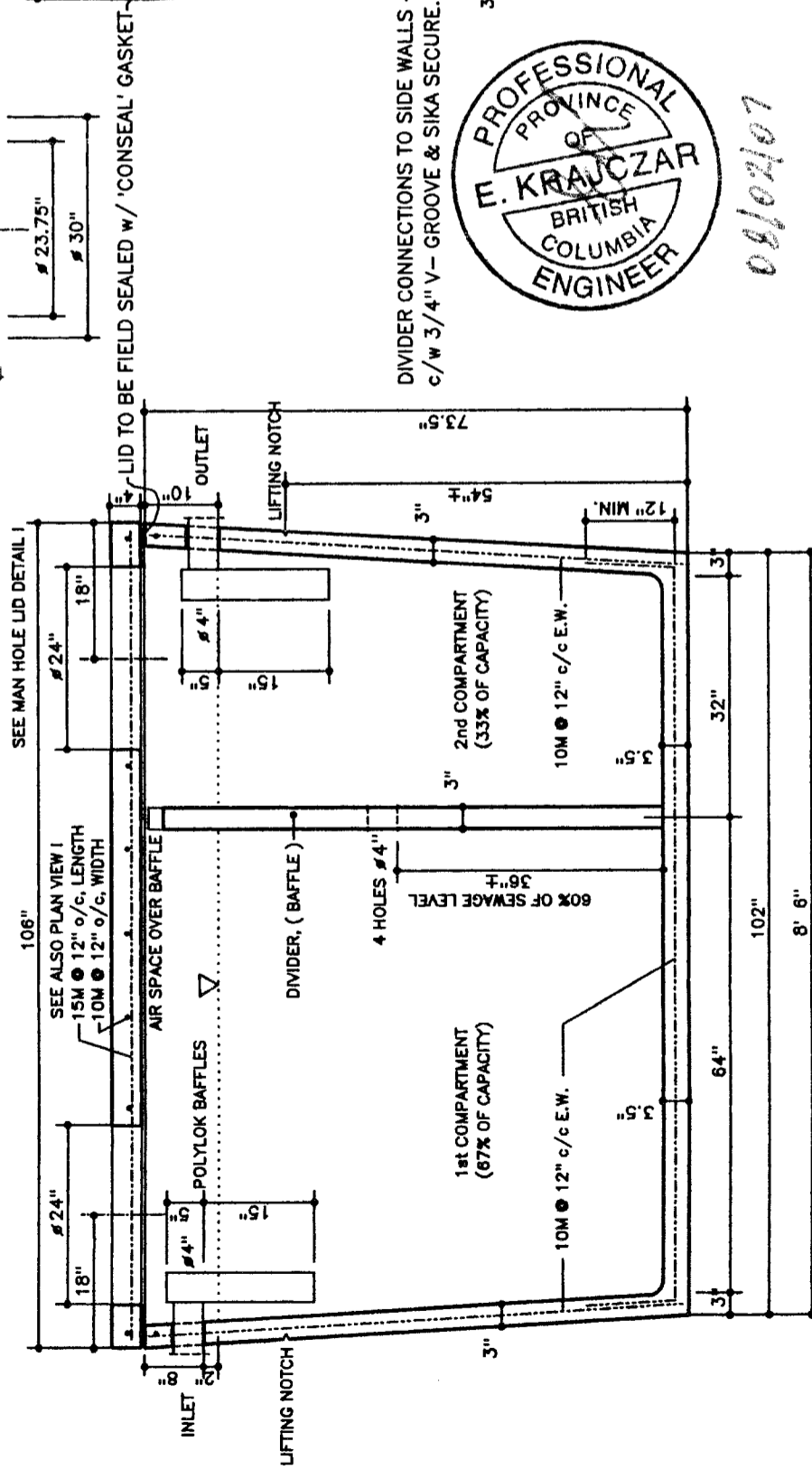
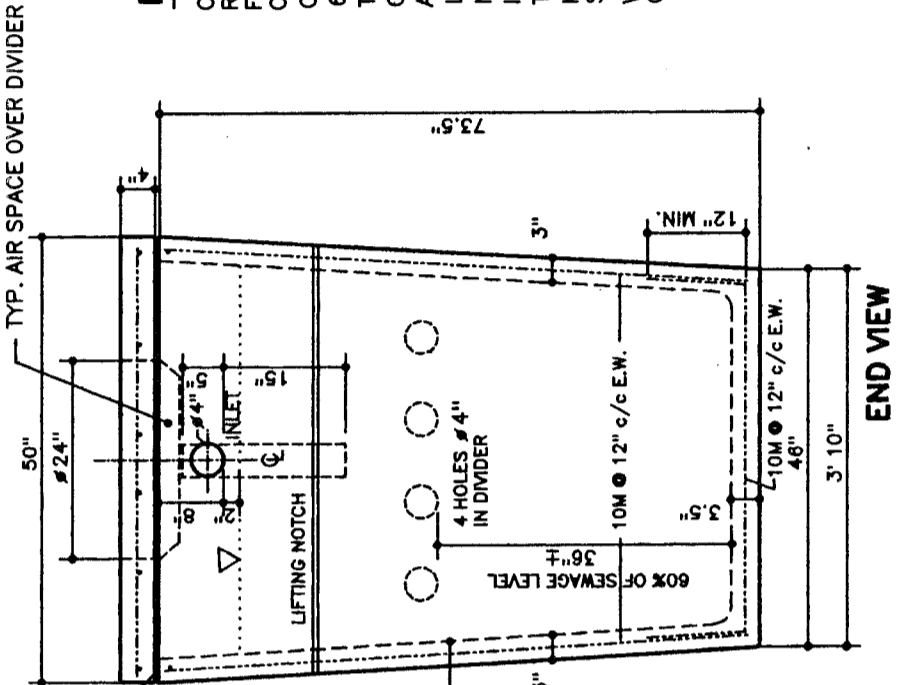
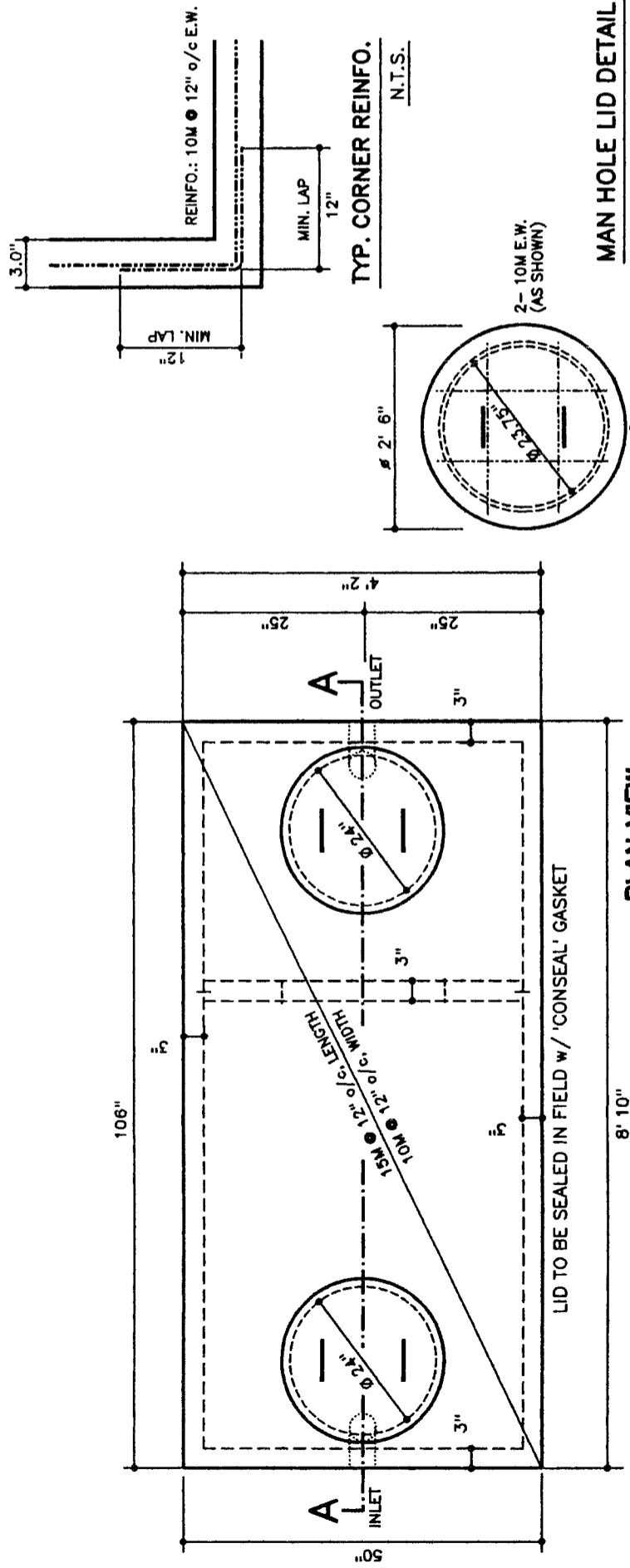


TWO COMPARTMENT SEPTIC TANK

900 IMP. GALLONS, (4091 Litre)

INLET, OUTLET, MIN. COVER 30"



NOTES :

- CONCRETE : 30 MPa. - 28 DAY STRENGTH, (4351 psi.), REINFO STEEL : CSA G30.18, GR.400.
- FOR CRACK CONTROL: USE NOVOMESH #950, (3 kg/cbm). CONC. CONSTR.: CSA A23.1-00 & A23.2-00.
- CEMENT : TYPE 10 PORTLAND,
- 6% ± 1% ENTRAINED AIR, MAX. AGGREGATE 3/4".
- TO CSA REGS. & BC SUPPLEMTL. REGULATIONS, CONC. TO BE STRENGTH TESTED @ EVERY 50 TANKS ACCORDING TO CSA TYP.
- LID TO BE SEALED IN FIELD w/ 'CONSEAL' GASKET, NON-TOXIC BUTYL SEALANT.
- INLET & OUTLET TO BE 'POLYLOK' BAFFLES, THE INLET IS TO BE CLEARLY LABELLED, MARK PLACED ON THE LID NEAR THE INLET AS SPECIFIED IN CSA B66-00 SECTION 8.
- WORK SHALL BE CARRIED OUT UNDER CONCDERATION OF WCB SAFTY REGULATIONS AT ALL TIMES.

PLAN, SECTION & VIEW, SCALE : 1/2" = 1'-0"



E. KRAJCZAR, P. ENG.
767 MCDUGAL AVE., WILLIAMS LK., B.C.,
T. : 392-3217, F. : 392-3212

PROPOSED
TWO COMPARTMENT SEPTIC TANK
FOR: CENTRAL PRECAST, 4237 DRUMMOND RD.,
QUESNEL, B.C., T. 992-7025, F. 992-1183

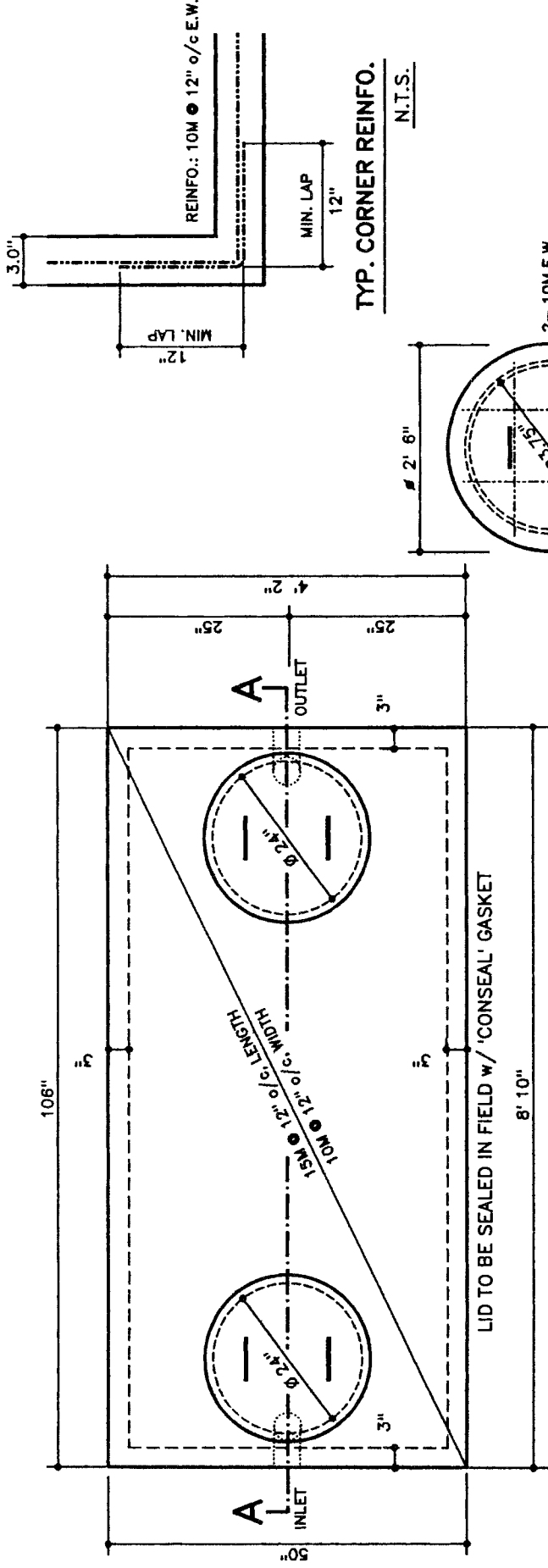
A\CP-SP-4

08/02/07

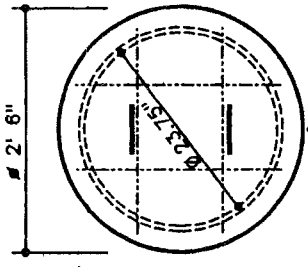
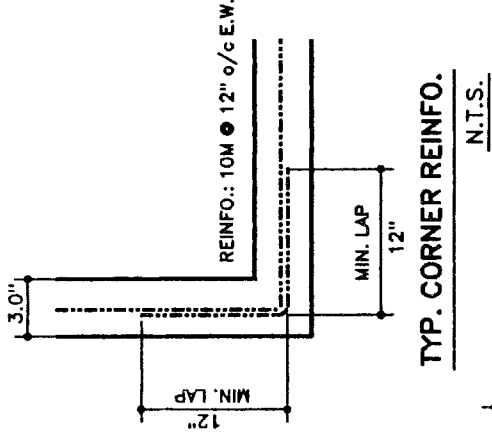
ONE COMPARTMENT SEPTIC TANK

600 IMP. GALLONS, (2727 Litre)

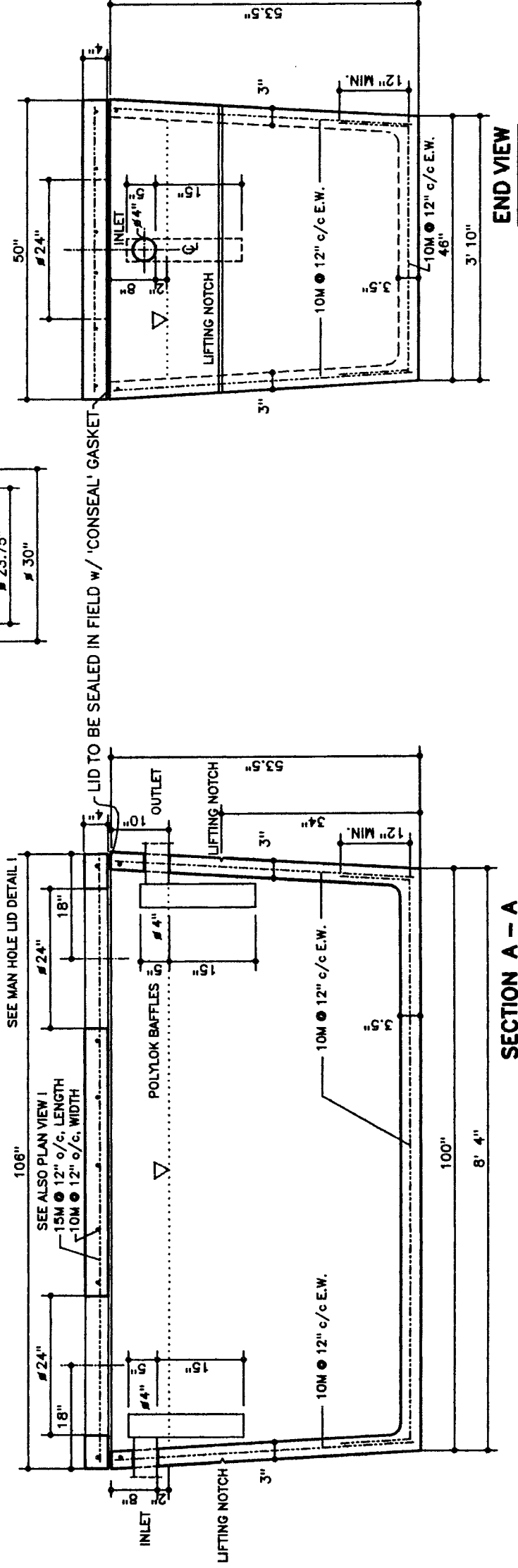
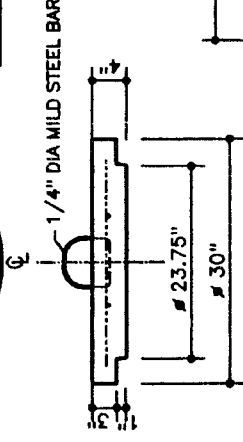
INLET, OUTLET, MIN. COVER 30"



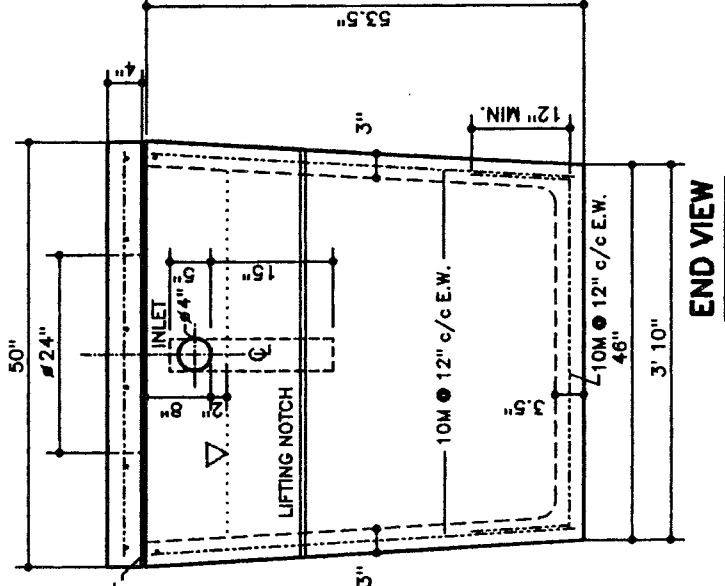
PLAN VIEW



MAN HOLE LID DETAIL



SECTION A - A



END VIEW



NOTES: 08/02/07

CONCRETE : 30 MPa. - 28 DAY STRENGTH, (4351 psi.),
REINFO. STEEL : CSA G30.18, GR. 400,
FOR CRACK CONTROL: USE NOVOMESH #950, (3 kg/cbm).
CONC. CONSTR.: CSA A23.1-00 & A23.2-00.
CEMENT : TYPE 10 PORTLAND,
6% ± 1% ENTRAINED AIR, MAX. AGGREGATE 3/4".
TO CSA REGS. & BC SUPPLEMENTL. REGULATIONS,
CONC. TO BE STRENGTH TESTED @ EVERY 50 TANKS
ACCORDING TO CSA TYP.
LID TO BE SEALED IN FIELD w/ 'CONSEAL' GASKET,
NON-TOXIC BUTYL SEALANT.
INLET & OUTLET TO BE 'POLYLOK' BAFFLES,
THE INLET IS TO BE CLEARLY LABELLED,
MARK PLACED ON THE LID NEAR THE INLET AS
SPECIFIED IN CSA B66-00 SECTION 8.
WORK SHALL BE CARRIED OUT UNDER CONSIDERATION
OF WCB SAFETY REGULATIONS AT ALL TIMES.

PLAN, SECTION & VIEW, SCALE : 1/2" = 1'-0"

E. KRAJCZAR, P. ENG.
767 MCDUGAL AVE., WILLIAMS LK., B.C.,
T. : 392-3217, F. : 392-3212

PROPOSED
ONE COMPARTMENT SEPTIC TANK
FOR: CENTRAL PRECAST, 4237 DRUMMOND RD.,
QUESNEL, B.C., T. 992-7025, F. 992-1183

